

# IN002C

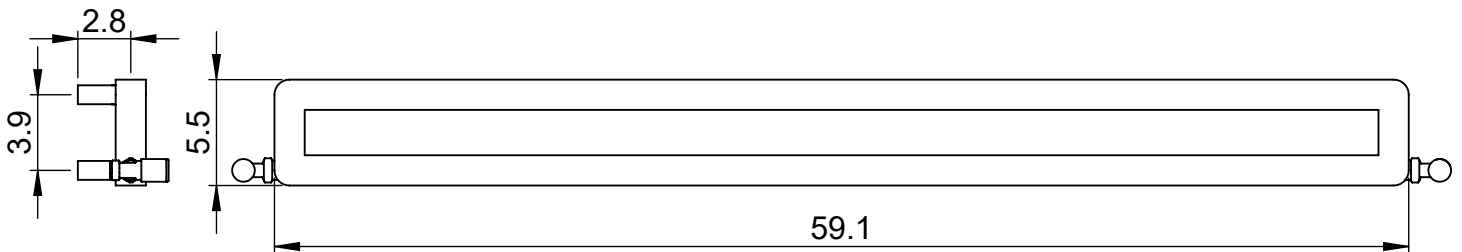
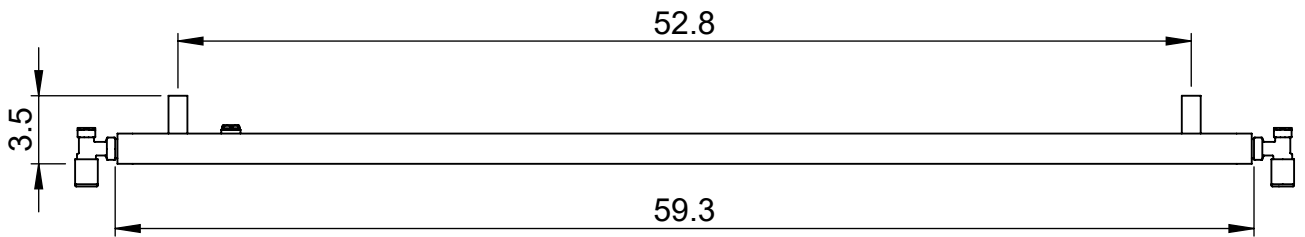
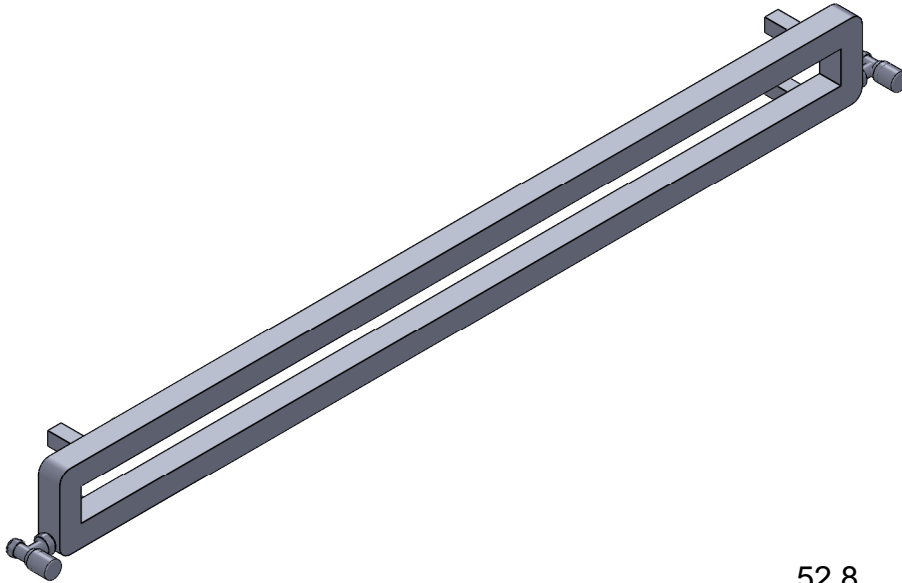
## 5.5x59.1

Height: 5.5  
 Width: 59.1  
 Depth: 3.5  
 Weight HO: 20.9lbs (9.5kg)  
 EO: 38.6lbs (17.5kg)

Tube  $\phi$ : 1.6sq  
 Output @ 50° C  $\Delta$  T: 328  
 Elec. element if specified: n/a  
 End to End Connections: 59.3

All dimensions in inches

Manufactured from 1.4301/X5CrNi18-10 stainless steel



inches	mm
5.5	140
59.1	1500
3.5	90
3.9	100
52.8	1340
2.8	70
59.3	1506

Vogue UK Ltd. reserve the right to alter specifications without prior notice.  
 ALL MEASUREMENTS ARE NOMINAL DIMENSIONS ONLY, AND ARE NOT BINDING.



**SCALE 1:10**

# VOGUE

UK  
 TOWEL DRYERS

175 Memorial Drive Unit C  
 Shrewsbury MA 01545 USA  
 Tel: 508 887 8771 Fax: 508 887 8774  
 e-mail: info@vogueuk.com www.vogueuk.com