

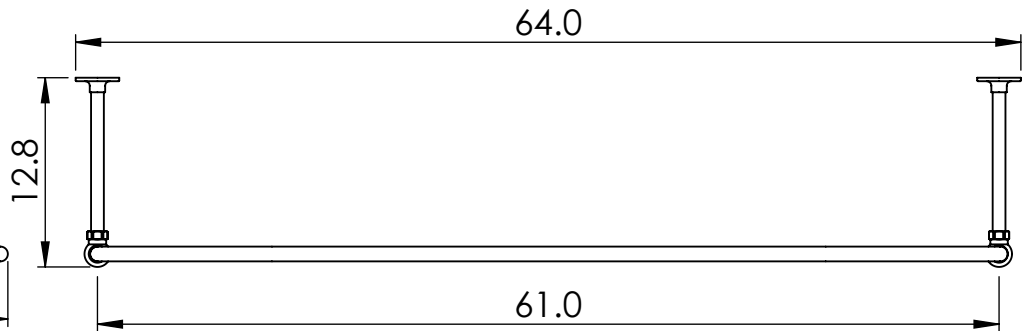
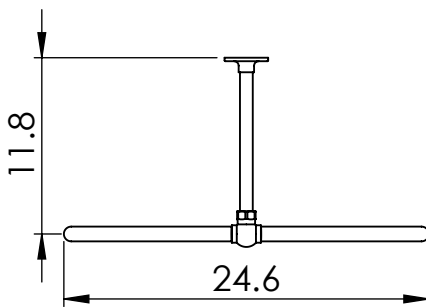
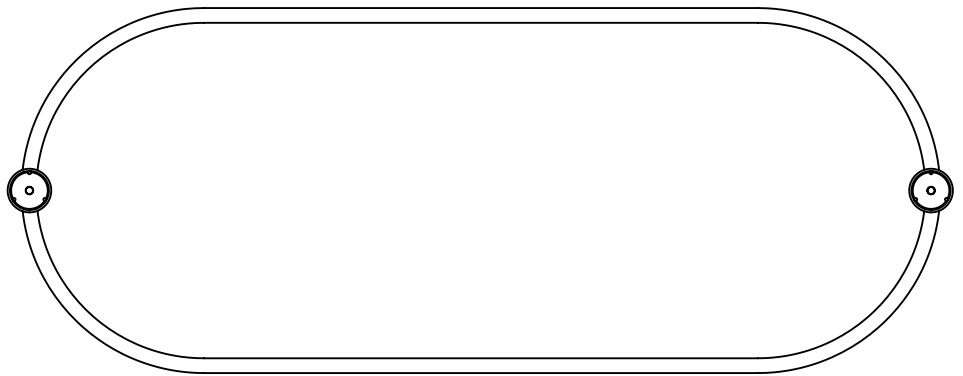
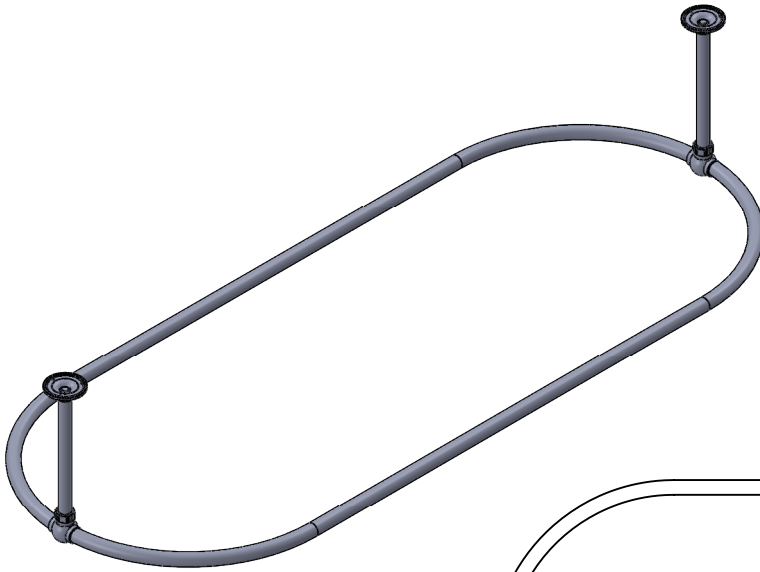
SCR1.2 12.8x64.0

Height: 12.8
Width: 64.0
Depth: 24.6
Weight: lbs (kg)

Tube ϕ : 1.0
Output @ 50° C Δ T: n/a
Elec. element if specified: n/a
Pipe Centres/ Face-Face Cons: n/a

All dimensions in inches

Manufactured from ISO/CEN CuZn30As (BS CZ126) brass tube



inches	mm
12.8	325
64.0	1625
24.6	625
11.8	300
61.0	1550

Vogue UK Ltd. reserve the right to alter specifications without prior notice.
ALL MEASUREMENTS ARE NOMINAL DIMENSIONS ONLY, AND ARE NOT BINDING.



SCALE 1:13

VOGUE

TOWEL DRYERS

175 Memorial Drive Unit C
Shrewsbury MA 01545 USA
Tel: 508 887 8771 Fax: 508 887 8774
e-mail: info@vogueuk.com www.vogueuk.com