

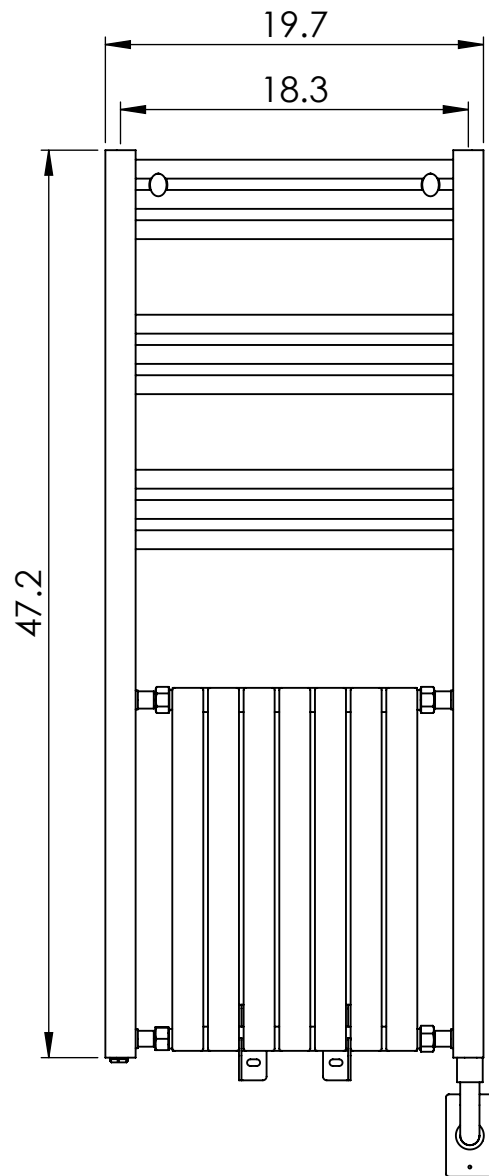
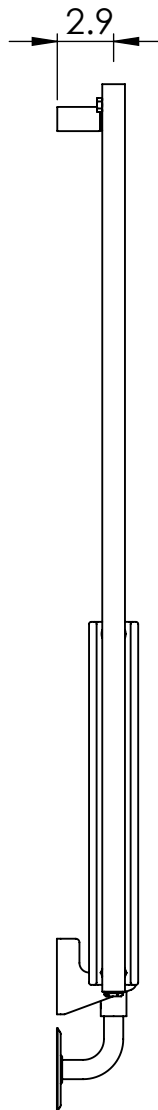
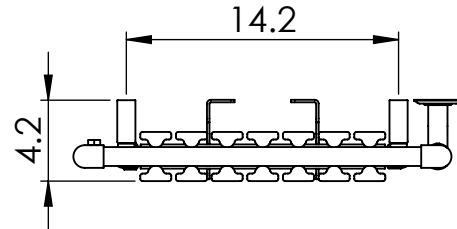
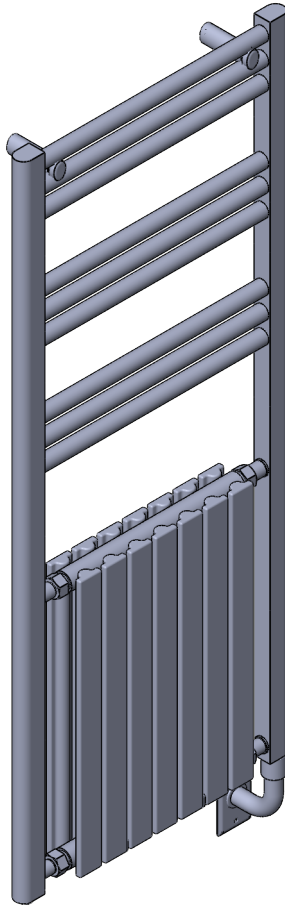
MD060 47.2x19.7

Height: 47.2
 Width: 19.7
 Depth: 4.2
 Weight HO: 32.0lbs (14.5kg)
 EO: 62.8lbs (28.5kg)

Tube ϕ : 1.0 + 1.6x1.2 D Section
 Output @ 50° C Δ T: n/a
 Elec. element if specified: 300 W
 Pipe Centres/ Face-Face Cons: 18.3

All dimensions in inches

Manufactured from Mild Steel



inches	mm
47.2	1200
19.7	500
4.2	107
18.3	464
14.2	360
2.9	73

Vogue UK Ltd. reserve the right to alter specifications without prior notice.
 ALL MEASUREMENTS ARE NOMINAL DIMENSIONS ONLY, AND ARE NOT BINDING.



SCALE 1:10

VOGUE

UK
TOWEL DRYERS

175 Memorial Drive Unit C
 Shrewsbury MA 01545 USA
 Tel: 508 887 8771 Fax: 508 887 8774
 e-mail: info@vogueuk.com www.vogueuk.com