

# ENC2A-36.0x20.0

## 4 Bar

Height: 36.0

Width: 20.0

Depth: 5.5

Weight HO: kg

EO: kg

Tube  $\phi$ : 1.25

Pipe Centres: 17.0

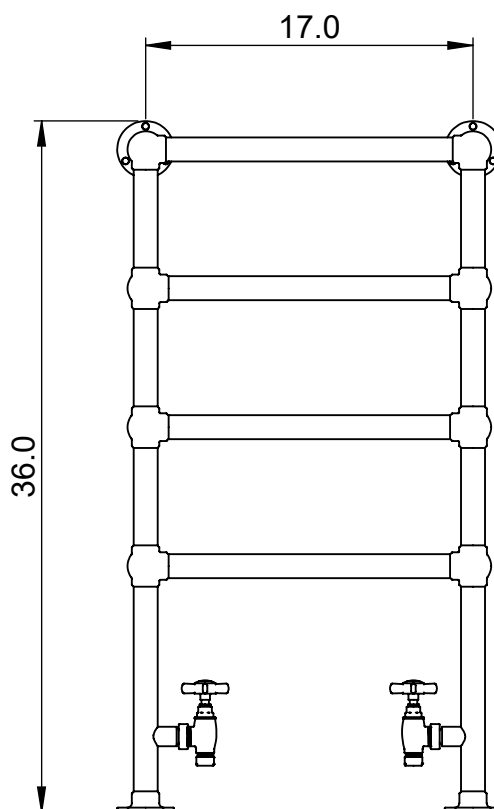
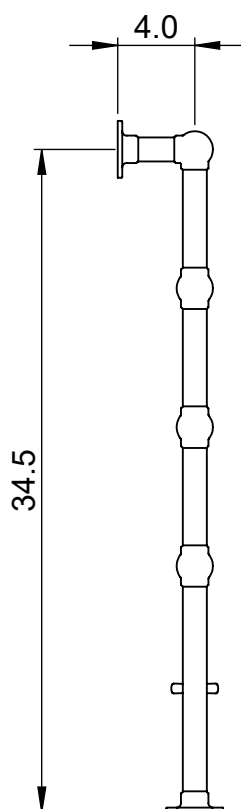
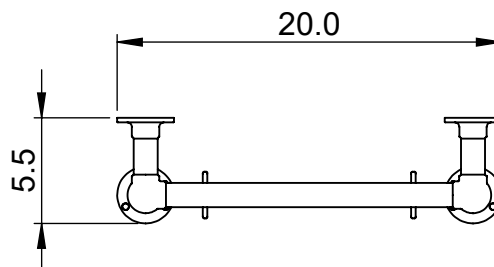
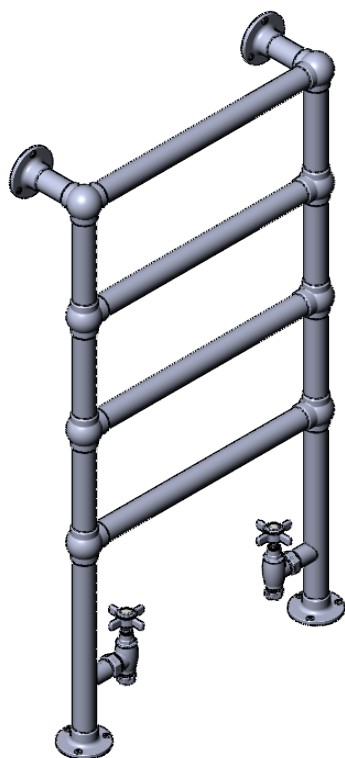
Elec. element if specified: N/A

Output @ 50°C  $\Delta$ T Watts: 191

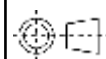
BTUs: 652

All dimensions in millimetres

Manufactured from ISO/CEN CuZn36As (BS CZ126) brass tube



Vogue UK Ltd. reserve the right to alter specifications without prior notice.  
ALL MEASUREMENTS ARE NOMINAL DIMENSIONS ONLY, AND ARE NOT BINDING.



SCALE 1:10



**VOGUE UK**  
Towel Warmers

175 Memorial Drive Unit C  
Shrewsbury MA 01545 USA  
Tel: 508 887 8771 Fax: 508 887 8774  
e-mail: info@vougeuk.com ww.vougeuk.com