

# ENC2B-36.0x24.0

## 4 Bar

Height: 36.0

Width: 24.0

Depth: 5.5

Weight HO: kg

EO: kg

Tube  $\phi$ : 31.8

Pipe Centres: 21.0

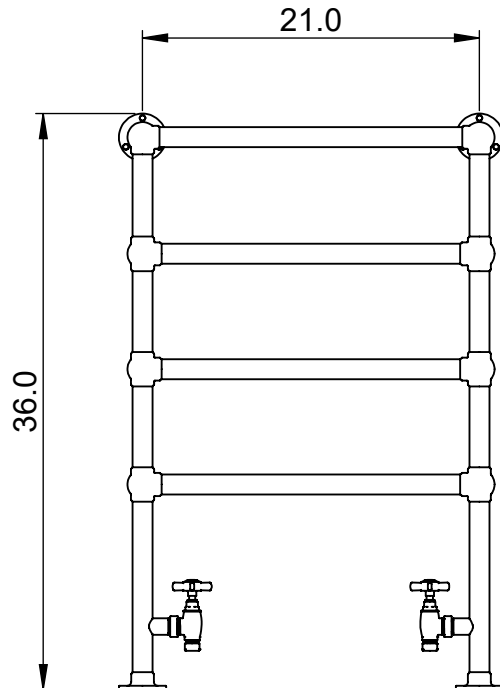
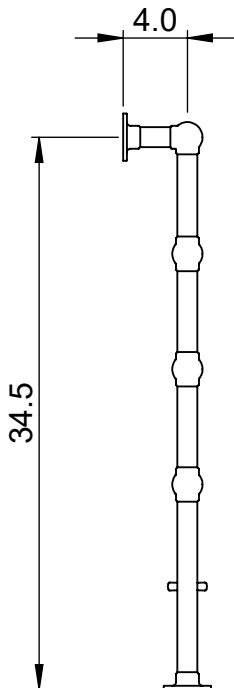
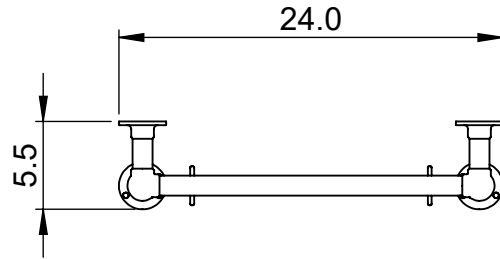
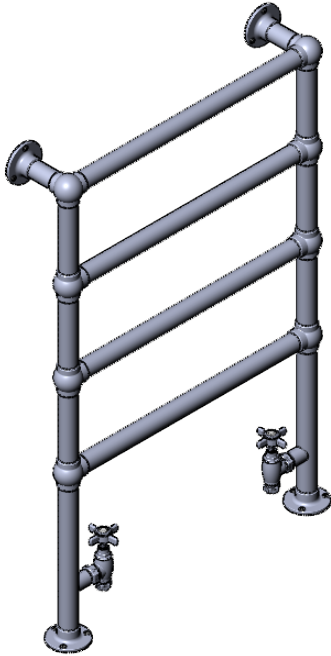
Elec. element if specified: N/A

Output @ 50°C  $\Delta$ T Watts: 208

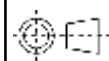
BTUs: 710

All dimensions in inches

Manufactured from ISO/CEN CuZn36As (BZ CZ126) Brass Tube



Vogue UK Ltd. reserve the right to alter specifications without prior notice.  
ALL MEASUREMENTS ARE NOMINAL DIMENSIONS ONLY, AND ARE NOT BINDING.



SCALE 1:12



175 Memorial Drive Unit C  
Shrewsbury MA 01545 USA  
Tel: 508 887 8771 Fax: 508 887 8774  
e-mail: info@vougeuk.com ww.vougeuk.com