

# ENC2D-60.0x24.0

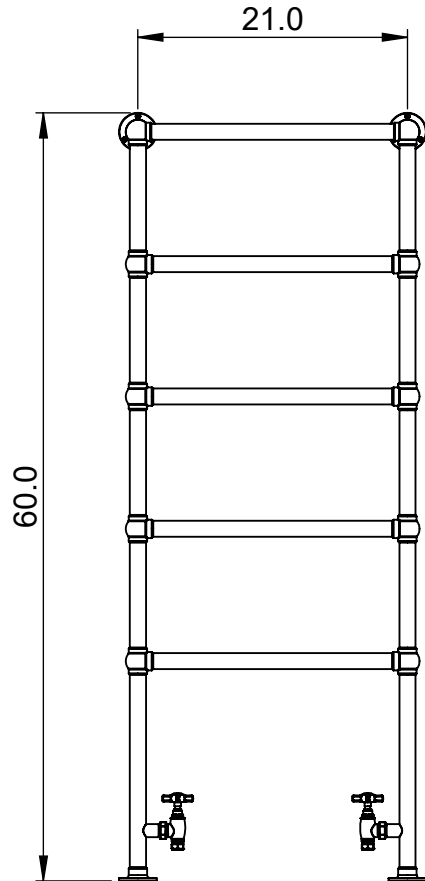
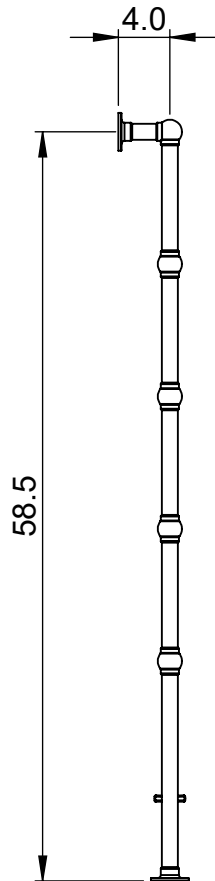
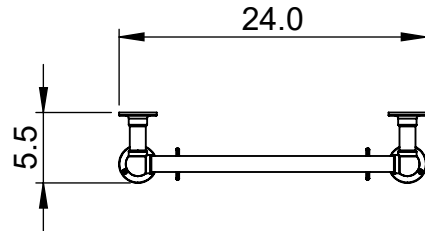
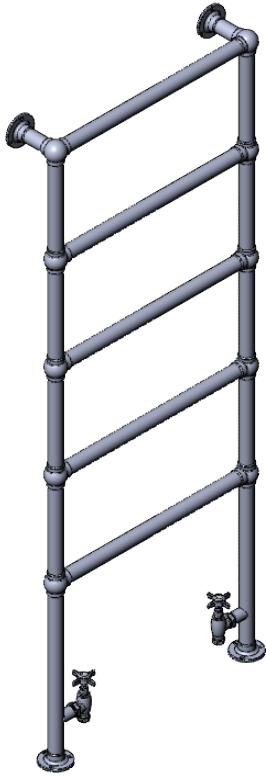
## 5 Bar

Height: 60.0  
 Width: 24.0  
 Depth: 5.5  
 Weight HO: kg  
 EO: kg

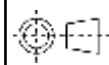
Tube  $\phi$ : 1.25  
 Pipe Centres: 21.0  
 Elec. element if specified: N/A  
 Output @ 50°C $\Delta$ T Watts: 306  
 BTUs: 1045

All dimensions in inches

Manufactured from ISO/CEN CuZn36As (BS CZ126) brass tube



Vogue UK Ltd. reserve the right to alter specifications without prior notice.  
 ALL MEASUREMENTS ARE NOMINAL DIMENSIONS ONLY, AND ARE NOT BINDING.



SCALE 1:20



175 Memorial Drive Unit C  
 Shrewsbury MA 01545 USA  
 Tel: 508 887 8771 Fax: 508 887 8774  
 e-mail: info@vougeuk.com ww.vougeuk.com