

ENC2D OG-60.0x24.0

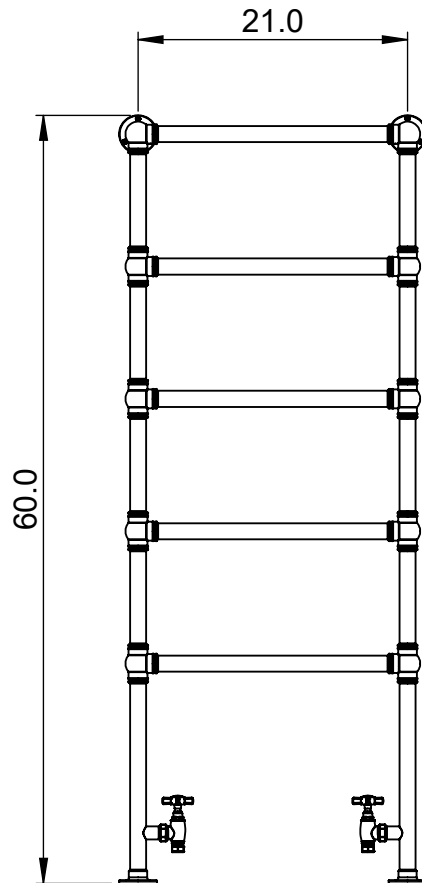
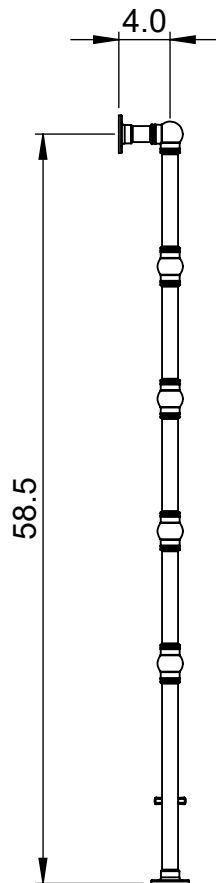
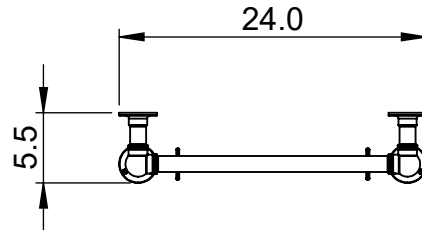
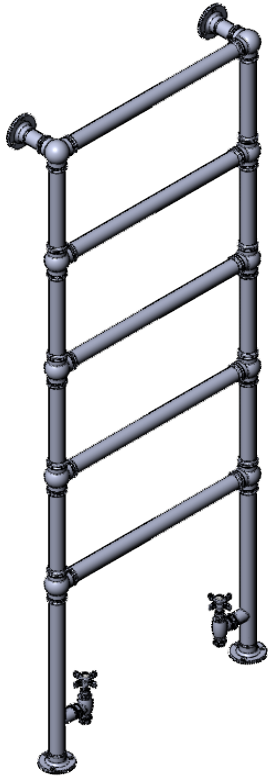
5 Bar

Height: 60.0
 Width: 24.0
 Depth: 5.5
 Weight HO: kg
 EO: kg

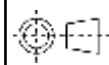
Tube ϕ : 1.25
 Pipe Centres: 21.0
 Elec. element if specified: N/A
 Output @ 50°C Δ T Watts: 306
 BTUs: 1045

All dimensions in inches

Manufactured from ISO/CEN CuZn36As (BS CZ126) brass tube



Vogue UK Ltd. reserve the right to alter specifications without prior notice.
 ALL MEASUREMENTS ARE NOMINAL DIMENSIONS ONLY, AND ARE NOT BINDING.



SCALE 1:20



175 Memorial Drive Unit C
 Shrewsbury MA 01545 USA
 Tel: 508 887 8771 Fax: 508 887 8774
 e-mail: info@vougeuk.com ww.vougeuk.com