

# EUC6A-5.5x20.0

Height: 5.5

Width: 20.0

Depth: 3.5

Weight HO: kg

EO: kg

Tube  $\phi$ : 1.57sq

Pipe Centres: N/A

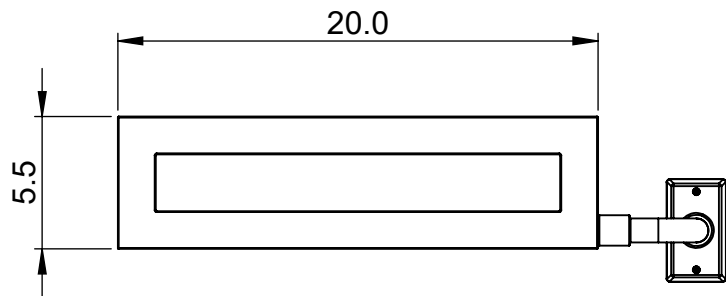
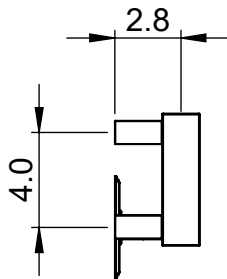
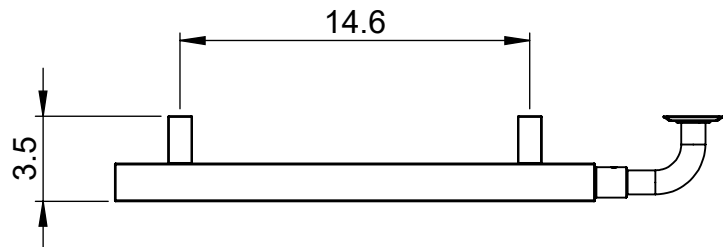
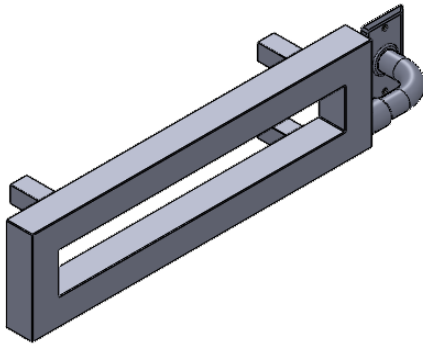
Elec. element if specified: 75

Output @ 50°C  $\Delta$ T Watts: N/A

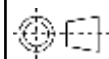
BTUs: N/A

All dimensions in inches

Manufactured from 1.4301/X5CrNi18-10 Stainless Steel



Vogue UK Ltd. reserve the right to alter specifications without prior notice.  
ALL MEASUREMENTS ARE NOMINAL DIMENSIONS ONLY, AND ARE NOT BINDING.



SCALE 1:10



175 Memorial Drive Unit C  
Shrewsbury MA 01545 USA  
Tel: 508 887 8771 Fax: 508 887 8774  
e-mail: info@vougeuk.com ww.vougeuk.com