

Fitting Instructions

Please read and follow instructions carefully to ensure the Vogue towel dryer is properly attached to the wall and floor (depending on model). **Failure to follow these steps could result in problems.**

The Vogue hydronic towel dryer is designed and constructed to give you dry and warm towels and articles of clothing, while providing additional heat. Larger models may be sufficient to serve as the sole heat source. You can use a Vogue towel warmer in either a bathroom/En suite/restroom /washroom or lavatory, it can be plumbed into your existing pipework/heating system.

LG021A-FW in chrome finish



TM005 in chrome finish



Important

All plumbing work must be carried out by an accredited plumber following **National and local area codes.**

Prior to Installation

Please ensure the wall and floor (depending on model) are suitable for installation, that there has been sufficient support added where needed and that the surface has been checked for buried electrical conduit, water/gas pipes that could be damaged during installation.

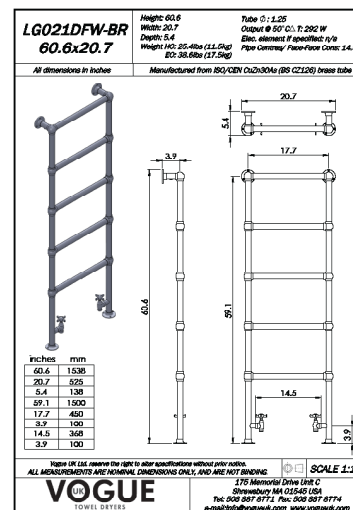
Carefully remove packaging and check the Vogue towel dryer for damage or missing parts.

Position towel dryer and ensure that there will be no installation issue and there is sufficient room to accommodate the water connections. Ensure also that the work area is clear and tidy.

Installation

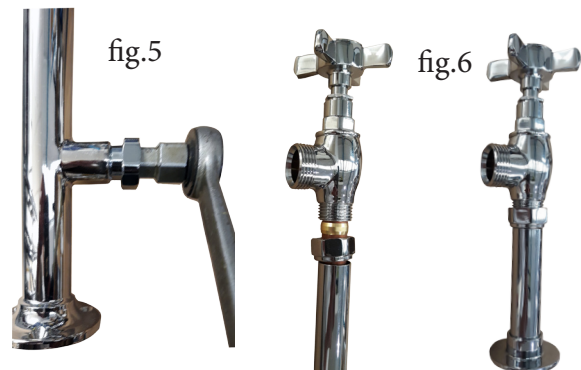
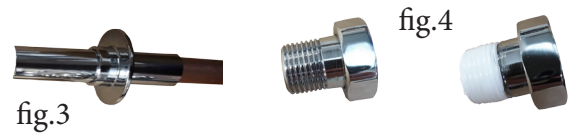
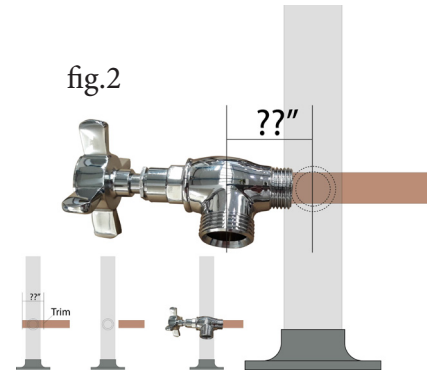
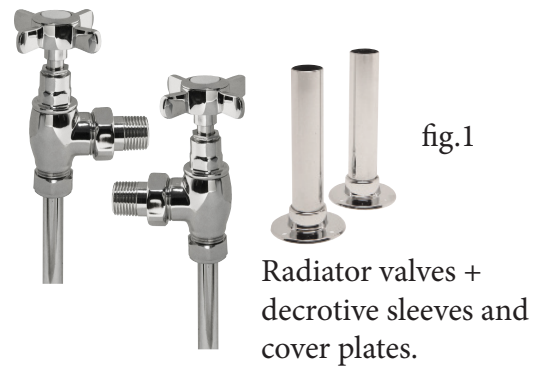
(Please note that these are generic instructions for the installation so if necessary, please refer to those which are specific to your chosen model)

- Carefully unpack the Vogue towel dryer.
- Position the towel dryer to the proposed location for mounting and valve entry points.
- Mark out all drill holes once the towel dryer is in position and square (may require assistance).
- Drill screw holes using suitable drill bit for wall construction and insert wall plugs/anchors.
- Screw into place towel dryer brackets/ radiator brackets or base plates.
- Mount towel dryer onto its mounting posts/components.



Once the position of the towel dryer and valve connections have been established please ensure the necessary precautions have been taken:

- Turn off heating system.
- Heating system needs to be cold and emptied or isolate the pipes going to the towel dryer.
- Carefully unpack the Vogue valves and installation kit, this consists of a pair of radiator valves, decorative sleeves & cover plates.(fig.1)
- At this point you may need to trim the length of the pipes coming to the towel dryer, to be connected via the radiator valves, to get the correct measurement it is advised you place the valve on to the end of the pipe and measure the difference between the connection point on the valve to the connection point on the towel dryer, remove the valve and trim this difference of the pipe(fig.2), clean up the end of the pipe with file or grit paper.
- Now slide the decorative sleeves & cover plates over the pipe work, you should allow for the sleeve to slide a little way in to the wall/floor to allow for ease of fitment.(fig.3)
- Take the valve tails and apply Teflon tape or your preferred method of pipe sealant (fig.4), then using a ½” Allen wrench screw the valve tails into the towel dryer connections (fig.5).
- Take the compression nut & ring and slide the compression nut on to the pipes first followed by the ring (apply a thin layer of pipe sealant if you wish to the tip of the pipe).
- Now you can push the valve body into place. Then slide the compression ring up to the valve body followed by the nut and begin to tighten (fig.6), once it is finger tight line up and begin to tighten the valve tail onto the radiator valve.
- And finish by using the correct sized spanner to tighten up all then joints.
- Finally, you can slide the cover tube up to the back of the nut and push the cover plate against the wall/floor and tighten the retaining screw (fig.7).
- You can now fill and bleed the air from the towel warmer, check for leaks, and run the heating to make sure there are no leaks under pressure or air trapped within the towel dryer.



Aftercare

From time to time it is advisable to wash your towel dryer to maintain its pristine finish. Do not use any abrasive or chlorine based cleaners on the towel dryer. A mild detergent (e.g; a weak dish soapmix), used with a soft damp cloth and then a soft dry cloth (we recommend a plush microfiber cloth), will restore the towel dryer to its original lustre. Please make sure the towel dryer is not in operation and cool when cleaning takes place.